



COLONY4

INSTALLATION INSTRUCTION



**CEILING FAN MUST BE INSTALLED
BY A LICENSED ELECTRICIAN**

ELECTRICIANS - TO PROTECT YOUR CUSTOMER'S WARRANTY, PLEASE READ
PAGE 2 OF THIS BOOKLET PRIOR TO THE INSTALLATION OF THIS PRODUCT.

IMPORTANT INFORMATION

EVERYONE MUST READ PRIOR TO INSTALLATION

1. Distributor and installer details and purchase receipts are essential for on-site warranty claims and must be presented to repair personnel, make sure you record your details in the Fan Owner Warranty and Operations Manual.
2. Fans and fixed wiring products must only be installed by persons who are appropriately licensed by the applicable State regulatory body. Therefore, to protect our repair personnel, on-site warranty claims will not be accepted if products have been installed by unlicensed persons.
3. Damage caused by incorrect installation, force-majeure, electrical surges, lightning, power grid fluctuations, water or by connection to alternative power supply sources (such as solar inverters, etc.) is not eligible for warranty repair.
4. When products are installed in a location requiring special access equipment (such as scaffolding or scissor lifts, etc) the cost of providing, installing and operating special access equipment must be borne by the site owner for all service or warranty work.
5. "This appliance is not intended for use by persons (including children) with reduced physical, sensory or mental capabilities, or lack of experience and knowledge, unless they have been given supervision or instruction concerning use of the appliance by a person responsible for their safety. Children should be supervised to ensure that they do not play with the appliance."

DANGER: Contact with ceiling fan blades can cause serious injury or death.

To electricians and installers. To protect yourself and the consumer these instructions must be followed. Failure to do so may result in the consumer making a claim against you for consequential loss or damage.

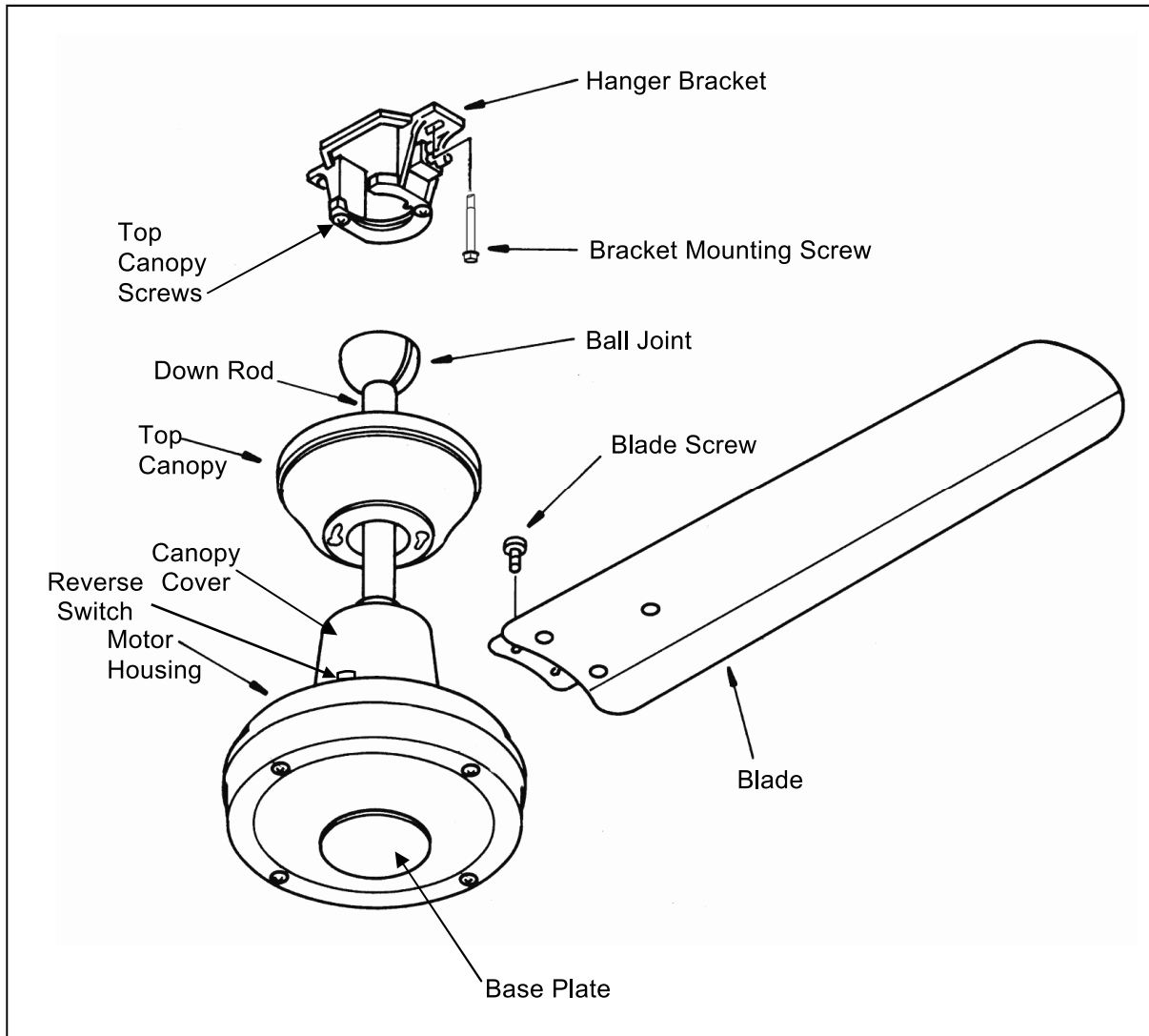
6. A double pole isolation switch providing full disconnection of both fan and light must be fitted in accordance with the wiring rules.

For safety, and to protect your warranty, the following must be taken into account when installing and operating the product(s):

- (a) DO NOT USE SOLID-STATE WALL CONTROLLERS. Neither leading nor lagging edge controllers will give satisfactory performance. Wall controls must only be types approved for use by the one provided with fan.
- (b) The fan, light and bracket must be earthed.
- (c) Fan and light must be run from the same final circuit.
- (d) Mounting bracket must be firmly screwed to a solid structure such as a concrete ceiling, steel structure or timber framing. If additional bracing is added it must be firmly secured to the rafters and not left floating on the ceiling. Special mounts, such as T-hooks, are available for certain types of installation.
- (e) After installation, fan blades must be at least 2.3 m (7'6" feet) above floor level.

Installation Manual

Parts List - The COLONY4 Fan, Normal Steel and Moulded



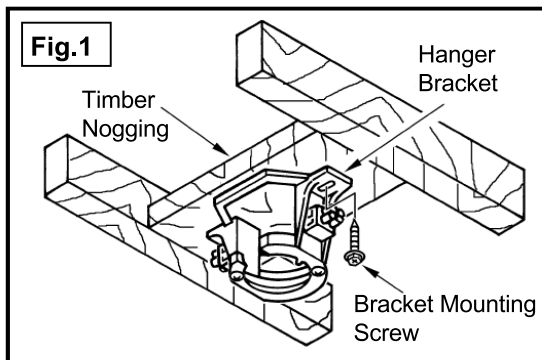
Part	Qty	Part	Qty	Part	Qty
Hanger Bracket	1	Down Rod (21mm Diameter)	1	Blade Screw	8
Bracket Mounting Screw	2	Down Rod Pin	1	Blade Washers	8
Top Canopy	1	Down Rod Short Screw	2	Vam Wall Controller	1
Top Canopy Screws	2	Canopy Cover	1		
Ball Joint	1	Motor Housing	1		
Ball Joint Screw	1	Base Plate	1		
Ball Joint Pin	1	Blade	4		

Installation Manual

Installation Instructions

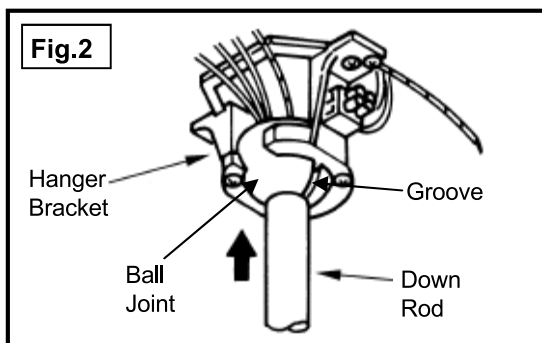
(Assembling the fan)

NOTE: If an extension down rod needs to be installed please go to page 9.



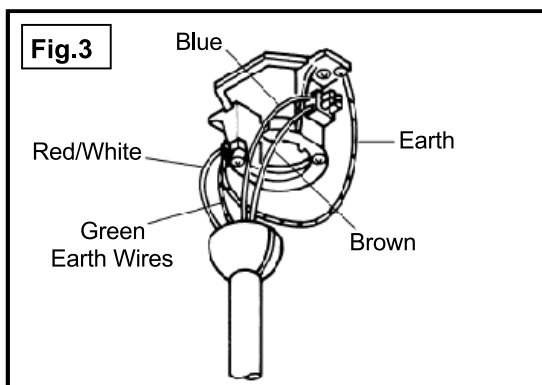
STEP 1 (Fig. 1)

a) Drill a hole in the timber nogging for wiring.
b) Secure the hanger bracket onto the timber nogging, using the two bracket mounting screws provided. The timber nogging should be supplied by the installing electrician and must be supported between the two ceiling joists as shown in the diagram.



STEP 2 (Fig. 2)

a) Hang the ball joint into the hanger bracket. Ensure the groove on the hanger bracket is locked into the slot on the ball joint. (This is important to ensure the fan will not wobble and the weight of the fan is supported).



STEP 3 (Fig. 3)

a) Connect wires from the fan with wires in the ceiling.
b) Make sure earth wires are also connected.
c) Connect light wires (red/white) if a light fitting is going to be used. (Cap seal light wires if a light fitting is not going to be used).



1. **Do not** attempt to operate the fan (or optional light kit) with any wall control that is not approved by Vam Company for use with its fans. DO NOT use solid state controllers. The use of unapproved controllers may void your warranty.

2. **Do not** mix blade sets from one fan to another as this may upset the balance of the fan. If only one blade is damaged you are still required to replace with a new set.

Installation Manual

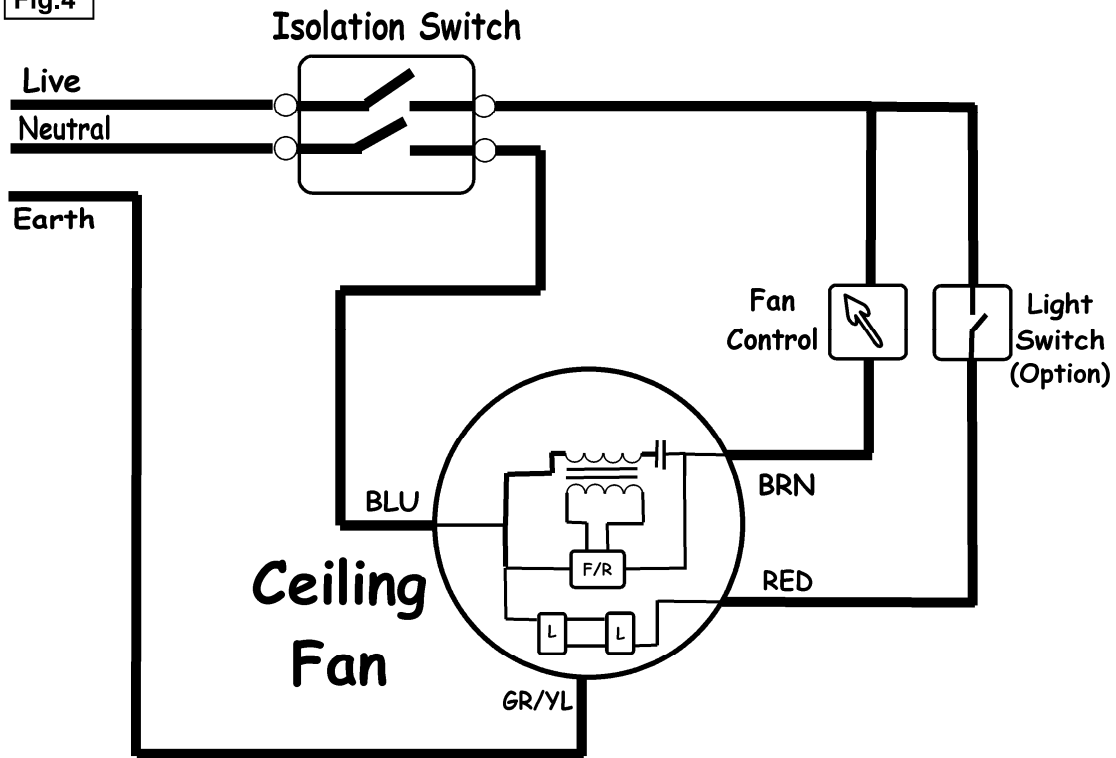
Installation Instructions (Assembling the fan)

Wiring Instructions (with and without accessory light)



WARNING: To comply with safety regulations a Double Pole Isolation switch must be fitted in series with the supply of this product.

Fig.4

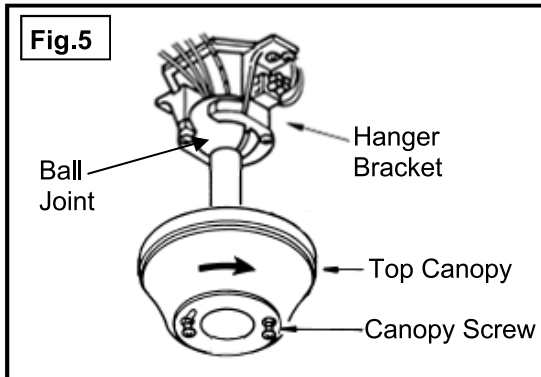


1. **Do not** attempt to operate the fan (or optional light kit) with any wall control that is not approved by Vam Company for use with its fans. DO NOT use solid state controllers. The use of unapproved controllers may void your warranty.
2. **Do not** mix blade sets from one fan to another as this may upset the balance of the fan. If only one blade is damaged you are still required to replace with a new set.

Installation Manual

Installation Instructions (Assembling the fan)

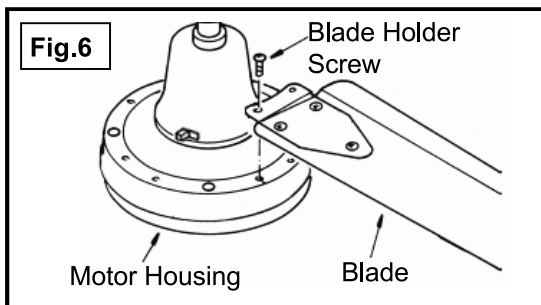
NOTE: If installing an Accessory Light refer to the light installation instructions enclosed in the light kit



STEP 5 (Fig. 5)

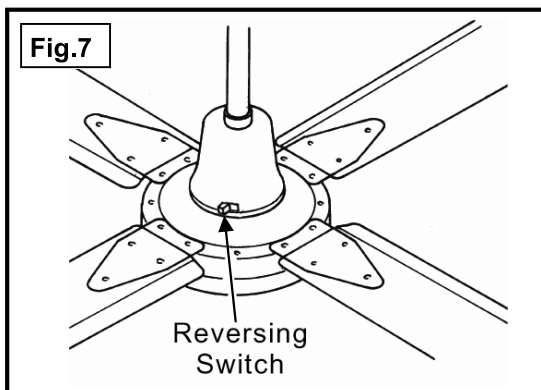
- Loosen canopy screws half way.
- Slide canopy cover up and over the hanger bracket and position canopy screws through the keyway in canopy cover .
- Rotate the canopy clockwise and tighten screws until canopy cover is tightly held.
- Check rim of canopy is not touching the ceiling. Add packing washers between canopy and bracket to lower canopy.

Attaching the blades (Metal & Moulded)



STEP 6 (Fig. 6)

- Attach blades to the motor housing using the 2 screws provided. Tighten the Blade Holder Screws firmly. Do not use power tools.
- Repeat this step for all four blades. Install each blade individually. Do not mix blades from different fans as this can upset the balance of the fan.



STEP 7 (Fig. 7)

- Check to ensure the reverse switch is locked into position. Make sure it is either set in the Summer or Winter position.
- Test and ensure fan is operating correctly on all three speeds in both forward and reverse.



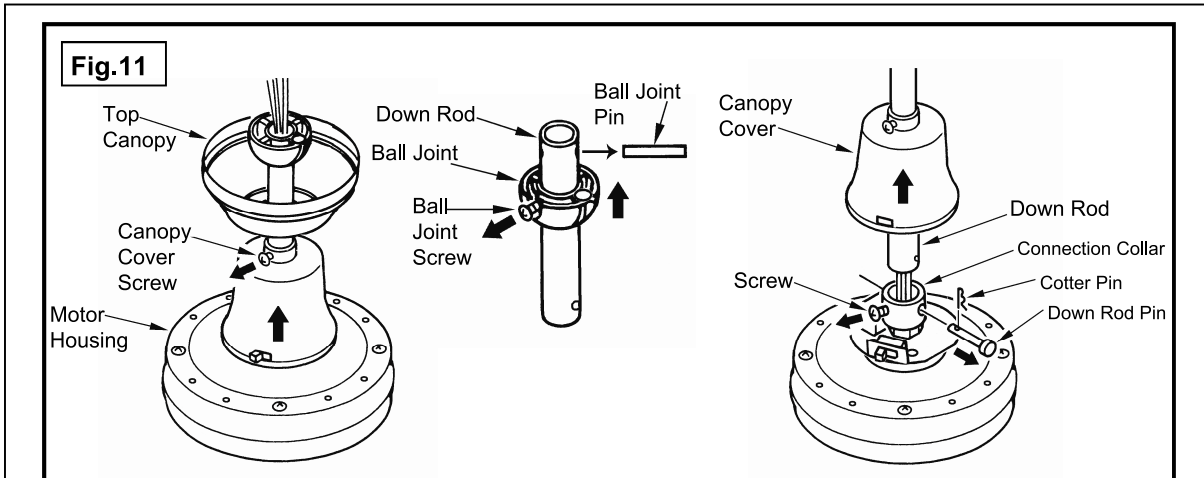
1. **Do not** attempt to operate the fan (or optional light kit) with any wall control that is not approved by Vam Company for use with its fans. DO NOT use solid state controllers. The use of unapproved controllers may void your warranty.

2. **Do not** mix blade sets from one fan to another as this may upset the balance of the fan. If only one blade is damaged you are still required to replace with a new set.

Installation Manual

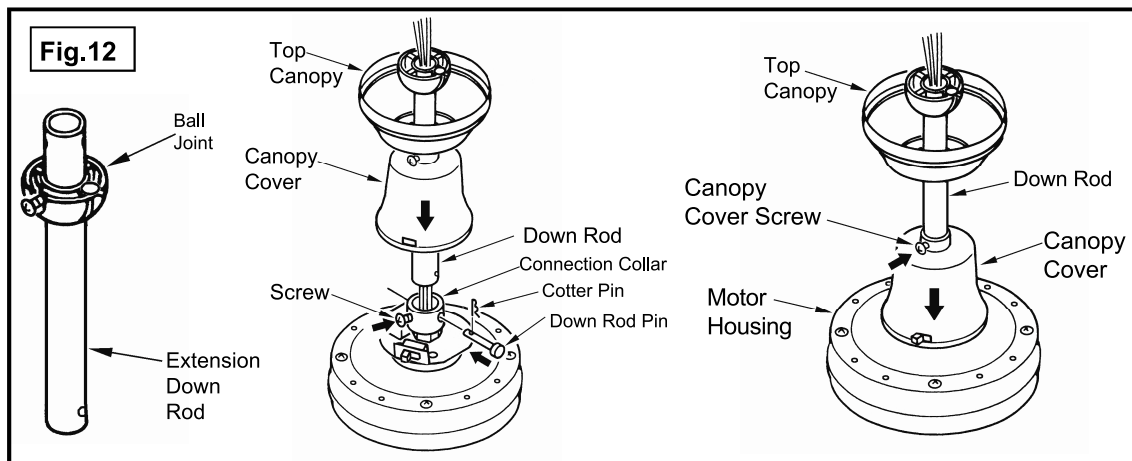
Installation of an Extension Down Rod

(NOTE: Vam Company's Stainless Steel Down Rods to be used ONLY)



Step 1 (Fig. 11)

- Loosen screws holding the Canopy Cover and Ball Joint.
- Loosen the down rod screws and unlock the cotter pin to remove the standard down rod from the motor housing.
- Loosen screws holding the Canopy Cover and Ball Joint.



Step 2 (Fig. 12)

- Now install the extension rod in reverse order of Step 1 to secure the extension down rod to the fan.
- Tighten Canopy Cover screws to Down Rod to prevent it from rattling. Do not use power tools.



NOTE: If the extension rod needs to be shortened, cut the rod to the required length and drill the appropriate hole size to fit the ball joint pin. The cut end of the rod should be used on the ball joint end only. The hole for the pin must be exactly positioned to pass through the centre of the rod, drilled straight and horizontal. When installing a 1.8m extension rod the wiring will need to be extended and joined. This should be done using crimp style connectors and properly insulated. **The distance from the bottom of the blades to floor must not be less than 2300mm.**

Installation Manual

Trouble Shooting Tips for Electricians

Fan will not start

- Check that the reversing switch is pushed into its Summer or Winter position.
- Check wire connections in the wall switch and terminal blocks, ensure all wires are making proper contact.
- Check isolation switch is 'on'.

Fan is not responding to the wall controller

- Check the speeds on the wall controller has been wired correctly and are making proper contact. Brown = speed 1, Purple = speed 2, Red = speed 3.
- Check wires in the terminal block are connected properly, wires should be stripped back at the connection point and unused wires should be sealed and capped off.
- Check that the reversing switch is pushed into its Summer or Winter position.

Fan is not responding to the remote control (if fitted)

- Check for flat battery. Make sure the dipswitch settings in the hand piece and the remote receiver match.

Fan is wobbling

- Check the ball joint slot is locked onto the hanger bracket tab.
- Make sure blades are a matching set; the figures on matching sets of blades should be identical with the numbers varying within 3 grams of each other.
- Check blade screws are tightened firmly. If necessary and as a last resort use balancing kit provided to settle the wobble.
- Make sure bracket is tight against ceiling and the ceiling and the ceiling structure are not moving. Do not use counter-sunk screws or unsuitable fasteners to attach bracket to ceiling. Use the screws provided.

Fan is noisy

- Check all screws and parts are secured firmly. Ensure there are no loose parts moving inside the motor housing.
- Make sure the fan is installed with a Hunter Pacific International wall controller only, do not use solid state controllers as they will cause unpleasant motor noises. If the customer is in an area receiving ripple control signals (off-peak services) then the fan may make an audible noise caused by the ripple control signal. This is not a defect and signal reduction filters are available for additional cost.



1. **Do not** attempt to operate the fan (or optional light kit) with any wall control that is not approved by Vam Company for use with its fans. DO NOT use solid state controllers. The use of unapproved controllers may void your warranty.

2. **Do not** mix blade sets from one fan to another as this may upset the balance of the fan. If only one blade is damaged you are still required to replace with a new set.
