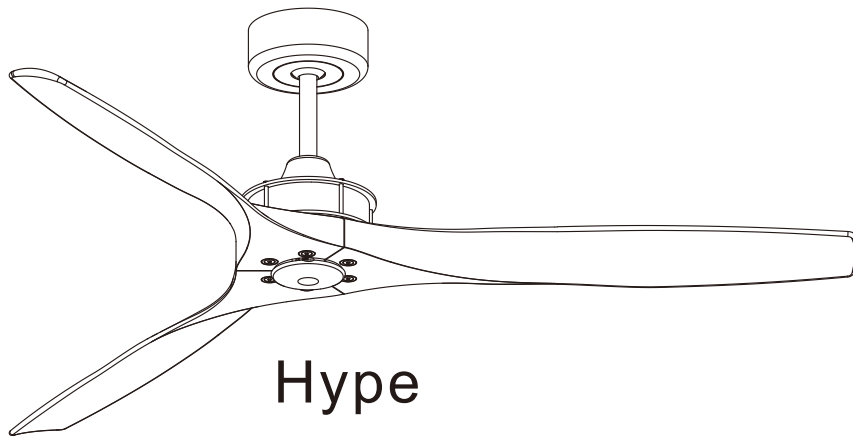


VAN

Owners Manual



Net weight

4.8 KGS.

10.6 LBS.

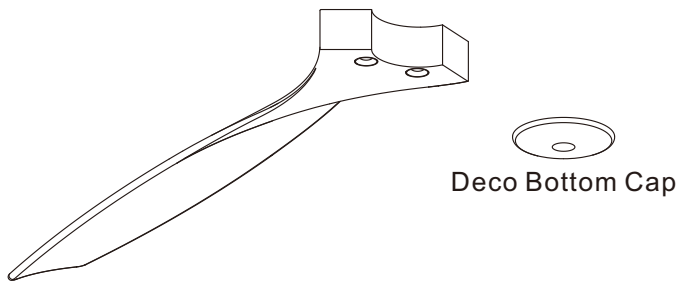
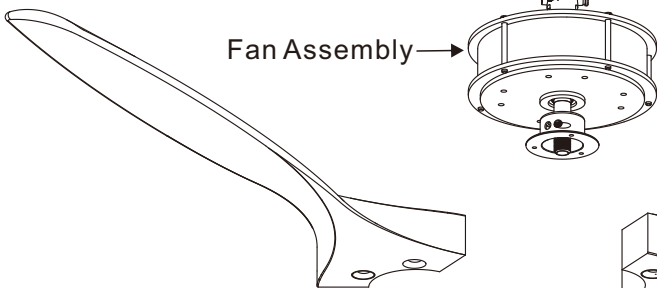
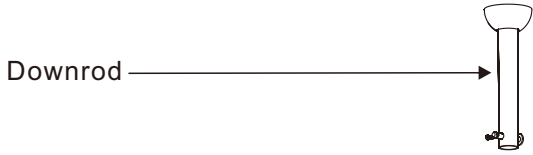
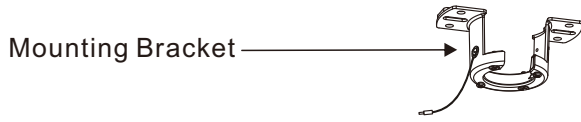
WARNING : Read and follow these instructions carefully and be mindful of all warnings shown throughout.

READ AND SAVE THESE INSTRUCTIONS

WARNING : TO REDUCE THE RISK OF FIRE, ELECTRICAL SHOCK, OR INJURY TO PERSONS, PLEASE OBSERVE THE FOLLOWING :









- 1]. To ensure the success of the installation, be sure to read the instructions and review the diagrams thoroughly before beginning.
- 2]. **To avoid possible electric shock, be sure electricity is turned off at the main power box before wiring.**
All electrical connections must be made in accordance with local codes, ordinances and/or the National Electric Code. If you are unfamiliar with the methods of installing electrical wiring and products, require the services of a qualified and licensed electrician as well as someone who can check the strength of the supportive ceiling members and make the proper installations and connections.
- 3]. Make sure that your installation site will not allow rotating fan blades to come in contact with any object. Blades should be at least 7 feet from floor when fan is in operation.
- 4]. If possible, mount ceiling fan on a ceiling joist - the joist must be able to support the motion and weight of the moving fan. If the fan will be mounted on a ceiling outlet box, a 4" x 2-1/8" deep METAL octagon box is required ; on CE listed as " suitable for fan support ". The box and its supporting members must not be able to twist or work loose. **DO NOT USE PLASTIC BOXES.** Installation on a concrete ceiling should be performed by qualified personnel.
- 5]. Blades should be attached after motor housing is hung and in place. Fan motor housing should be kept in carton until ready to be installed to protect its finish. If you are installing more than one ceiling fan, make sure that you do not mix fan blade sets.
- 6]. After making electrical connections, spliced conductors should be turned upward and pushed carefully up into outlet box. The wires should be spread apart with the grounded conductor and the equipment - grounding conductor on one side of the outlet box and the " HOT " wires on the other side.
- 7]. Electrical diagrams are for reference only.
- 8]. After fan is completely installed, check to make sure that all connections are secure to prevent fan from falling and/or causing damage or injury.
- 9]. The fan can be made to work immediately after installation. The bearings are adequately charged with grease, so that under normal conditions, further lubrication should not be necessary.
- 10]. **The fan is downrod mount only.**
- 11]. **This fan is reversible.**
- 12]. **This fan is controlled by remote.**
- 13]. **This fan is suitable for indoor location use.**

Unpack and inspect fan carefully to be certain all contents are included.



Hardware Bag

For Mounting Bracket:

| | | | |
|---------------|----|---|---|
| Flat Washer | x2 |  |  |
| Spring Washer | x2 |  |  |
| Machine Screw | x2 |  |  |
| Wood Screw | x2 |  |  |

For Blade Installation:

Plastic Bushing x 7 (one spare bushing included)



Blade Screw x 7 (one spare screw included)



L type small screw driver (hexagon)



For Blade Balance :

Balanced slide x 1



Weight block (3G x 5)



Remote Control (12V Battery Included)



Hardware Bag

Wood Screw x 2



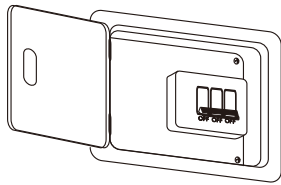
Wall plug anchor x 2



WARNING: blades should be at least 7 feet from floor

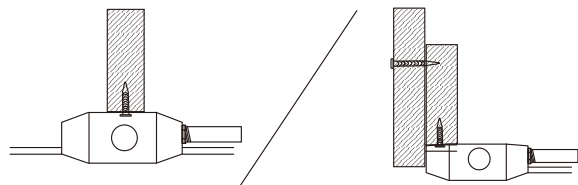
Note 1:

Turn off power at breaker box to avoid possible electrical shock.



Note 2:

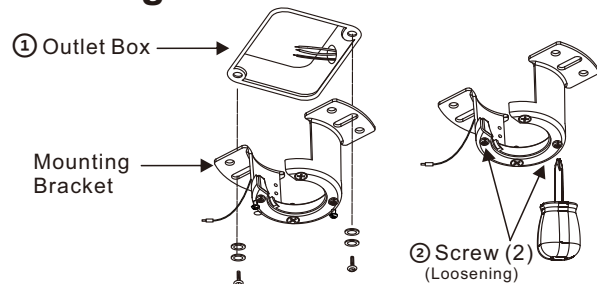
Use metal outlet box suitable for fan support.
Outlet box must support 35 lbs min.



1. HANGING SYSTEM INSTALLATION

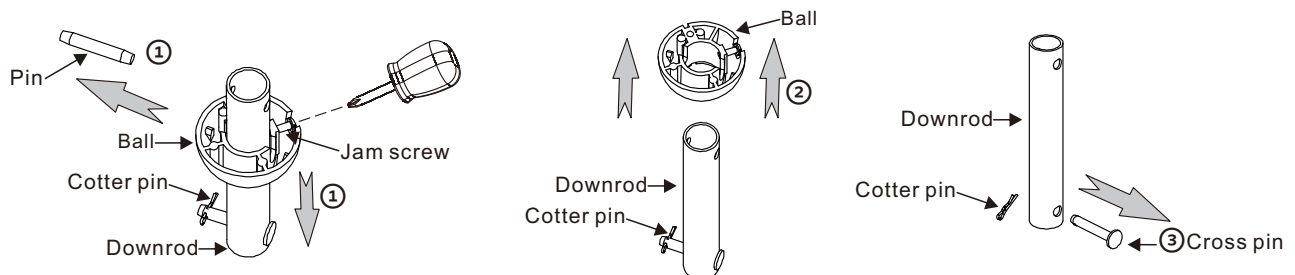
1A. Installing mounting bracket to ceiling outlet box

- ① Install mounting bracket to outlet box in ceiling by using screws included with the outlet box and washers from the hardware bag.
- ② Loosen the bottom screws from Mounting Bracket. **Do not remove.**

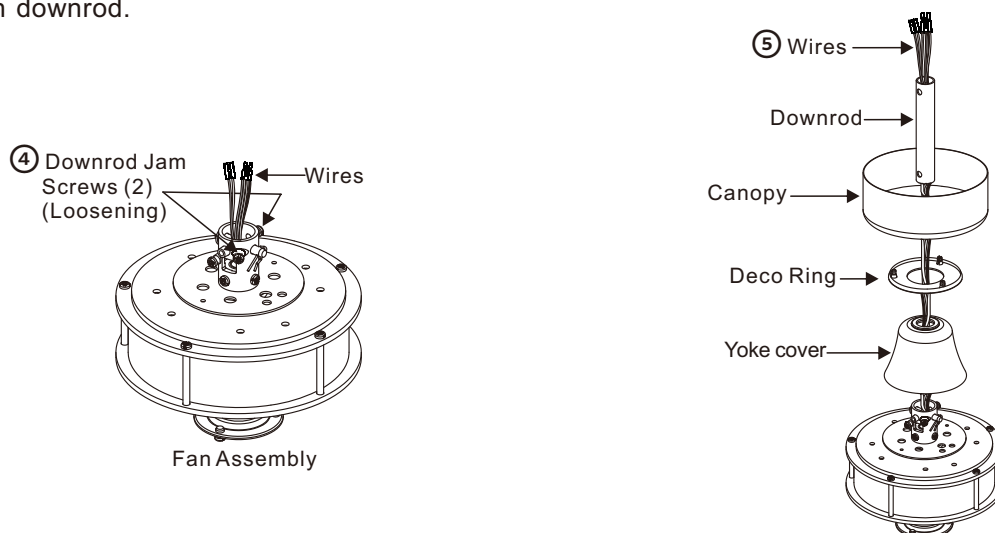


1B. Installing Downrod and Yoke

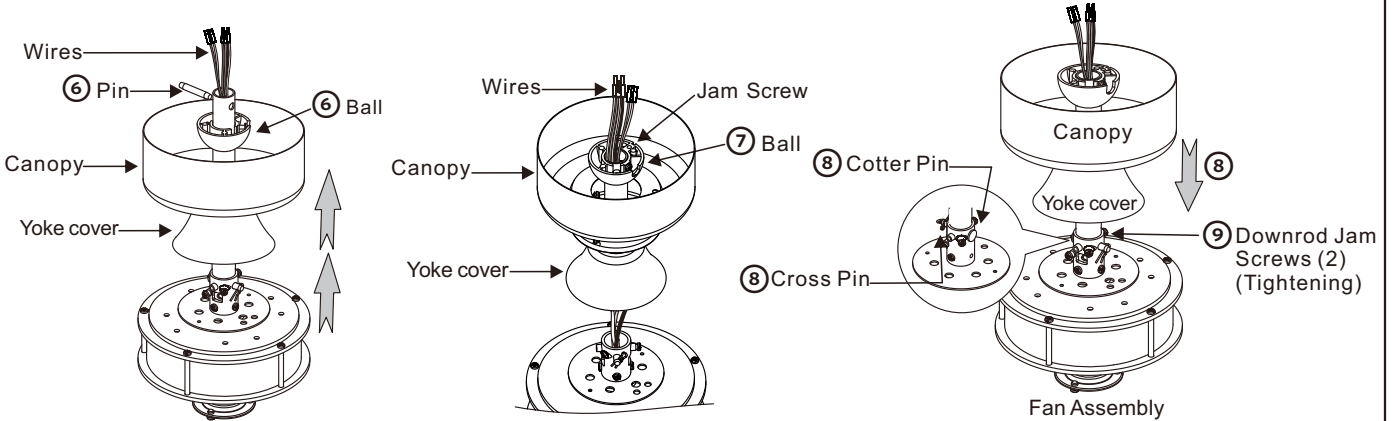
- ① Loosen the jam screw from the hanging ball and pull it down, remove the pin from downrod and keep it for step ⑥.
- ② Remove the hanging ball and keep it for step ⑥.
- ③ Remove cross pin and cotter pin from downrod and keep them for step ⑧.



- ④ Loosen 2 downrod jam screws at yoke.
- ⑤ Insert downrod through canopy and yoke cover, and feed motor lead wires (with 4 pin connector) through downrod.

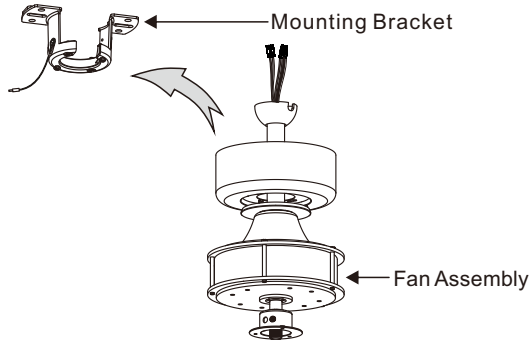


- ⑥ Insert hanging ball through downrod and insert the pin back into the downrod.
(Removed from step ① and ②)
- ⑦ Tighten the jam screw back to hanging ball and make sure it is tight. (Loosen from step ①)
- ⑧ Insert downrod assembly into yoke, insert the cross pin through yoke & downrod and secure with cotter pin. (Removed from step ③)
- ⑨ Tighten both downrod jam screws to further secure downrod, pull down the yoke cover to cover yoke.

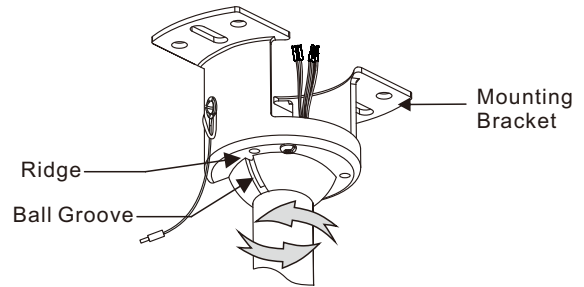


1C. Hanging the fan

- ① Lift fan assembly onto mounting bracket.



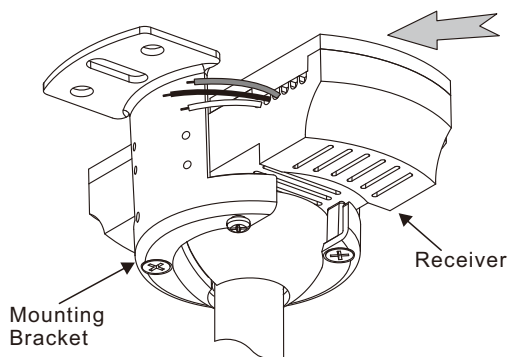
- ② Rotate fan so that the groove on the ball engages the ridge in the mounting bracket.



2. WIRE CONNECTION

2A. Insert receiver into Mounting Bracket

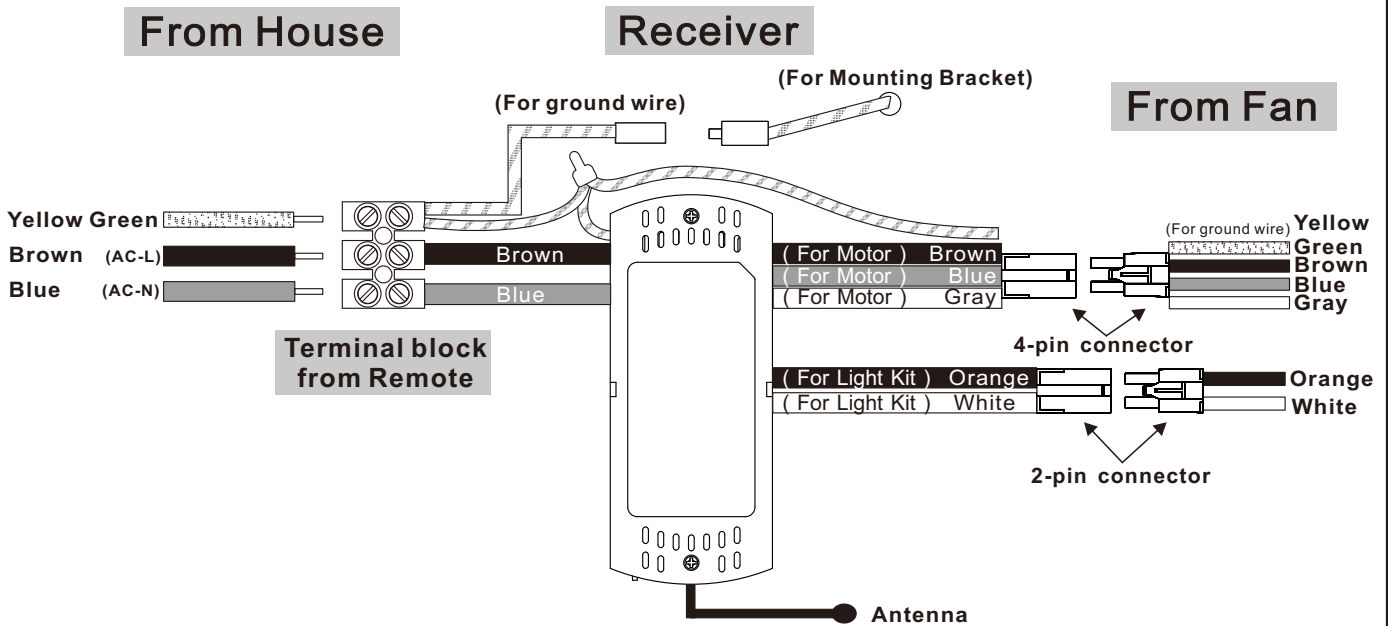
NOTE: Do not squeeze all the wires while inserting the receiver into the mounting bracket.



2B. Making electrical wire connection

Follow diagram below and make sure to connect all connectors.

Note : After connecting the connectors, gently push wires into junction box.



* **Special note: Green grounding wire(s) must be attached to Ground/Earth to prevent flickering of LEDs.**

NOTICE FOR Lead wires

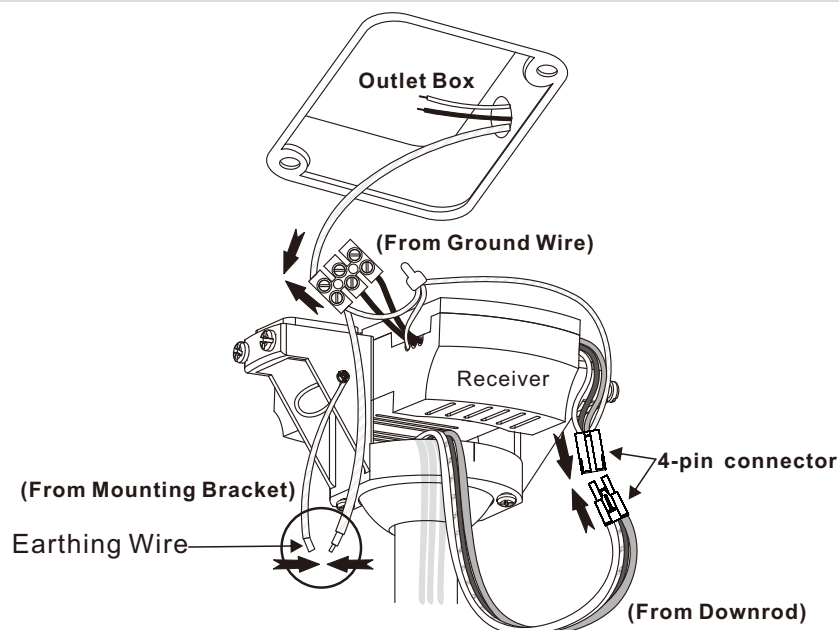
Original wires length is suitable for extension downrod use, if the fan is not using the extension rod, please cut the surplus lead wires for suitable length, in order to give enough space on the canopy for easier installation.

After installing the downrod, and cut lead wires for suitable length before connecting the wires with Receiver.

** **Important Warning: Do not cut the Earthing wire!**

THIS FAN MUST BE GROUNDED.

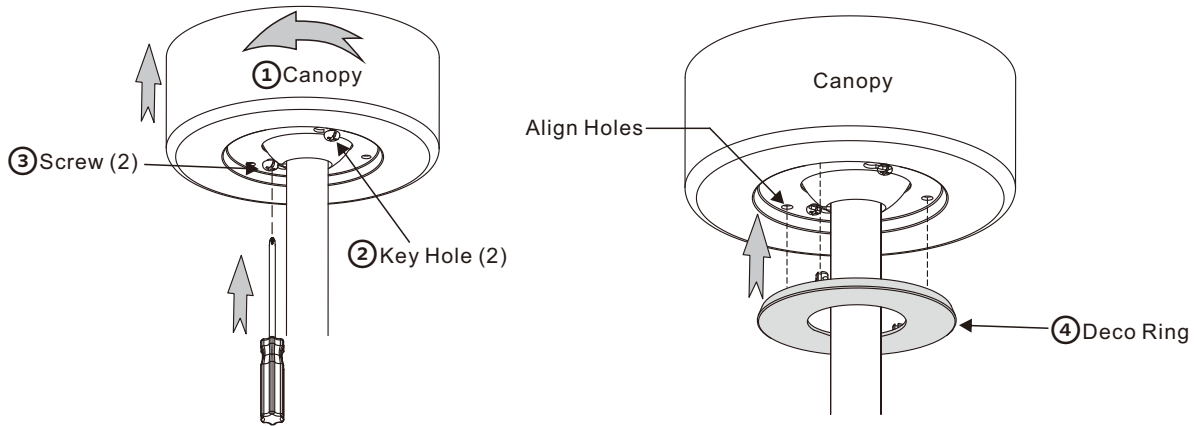
MUST be connected the Earthing wire from house to fan to avoid the LED light FLICKERING.



3. CANOPY INSTALLATION

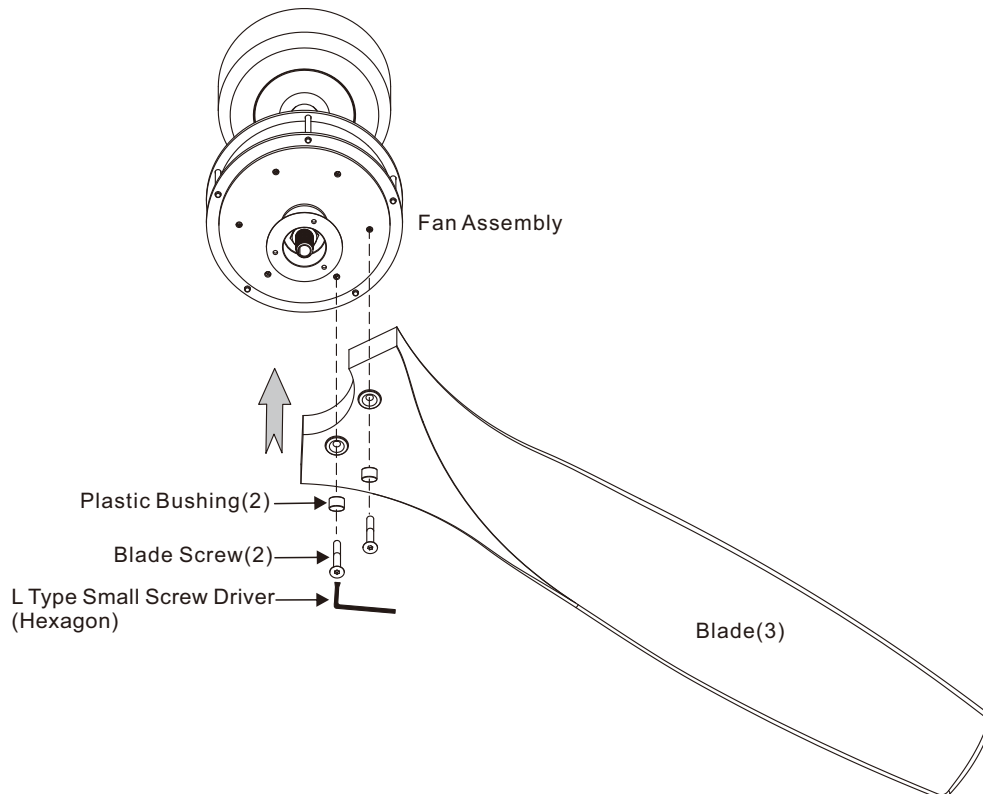
Note: Two screws are pre-installed on the Mounting Bracket for canopy installation.

- ① Push up canopy until two pre-installed screws on mounting bracket are engaged with two key holes on canopy.
- ② Rotate canopy slightly until two pre-installed screws heads are engaged in the narrow end of key holes.
- ③ **Tighten both screws.**
- ④ Push deco ring up to canopy, align holes on canopy with ribs on deco ring, and push “snap-in”.



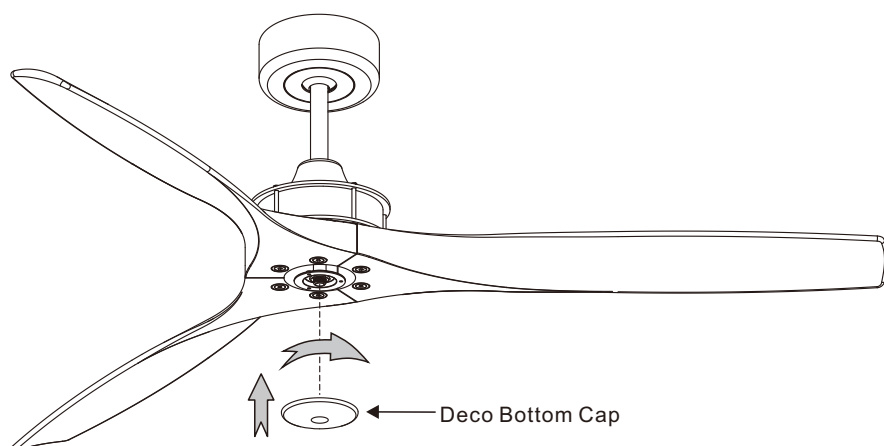
4. BLADE INSTALLATION

Attach blades to motor by using Plastic Bushing & Screws provided in hardware bag.
(* Do this step for 3 times until 3 blades are installed firmly.)

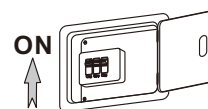


5. INSTALLATION FOR DECO BOTTOM CAP

Attach the deco bottom cap by clockwise.



6. Turn on power at breaker box for remote setting.



REMOTE CONTROL SETTING and OPERATION FOR DC MOTOR FANS

After completing the ceiling fan installation, install the 12V battery(included) in the hand-held Transmitter (see below **FIG.2**). Your fan is ready for remote control setting and operation.

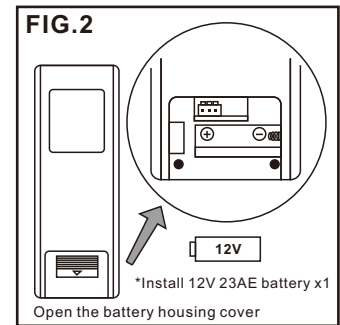
***NOTE:**

Your DC motor is equipped with an automatically learned type Remote control. The Remote control has been pre-set up and completed the learning/setting. The serial number sticker is paired on both Transmitter & Receiver. **PLEASE DO NOT MIX THE SERIAL NUMBER!** (See label on receiver and remote control cover.)



*Remote

*Receiver




*Install 12V 23AE battery x1
Open the battery housing cover

***IMPORTANT :**

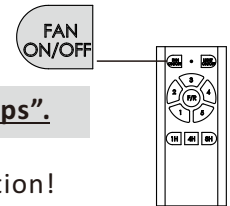
Once the fan assembly and wiring is completed and the fan operates properly, you may skip this **SETTING** step. In the event of the fan does not operate or "Beeps" for 5 times (after switch power on), please do the remote control **SETTING** steps as below.

Remote Control SETTING Process :

First, switch the main power off  and make sure fan has completely stopped . Then switch the power on again, and immediately press and hold the **FAN ON/OFF button** for **8 seconds** until the Receiver "Beeps". **This process must be done within 20 seconds** of switching on the power.

Press and hold the **FAN ON/OFF button** for **8 seconds** until the Receiver "Beeps".

This fan has completed the settings successfully and the fan is ready for operation!

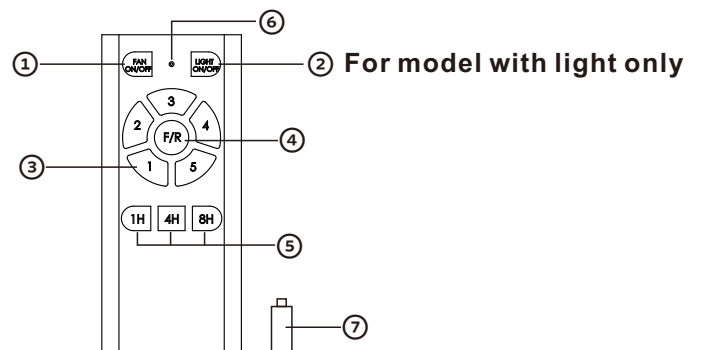


**** After power on, if the fan "Beeps" for 5 times means wrong connection or wires are not connecting properly. Please check and re-connect all the wires. Make sure they are connected properly and correctly.**

**** After power on, do not press and hold the FAN ON/OFF button for more than 5 seconds to avoid the SETTING process.**

Note: Fan must be installed at a maximum distance of 32Ft. from the transmitting unit for proper signal transmission between the transmitting unit and the fan's receiving unit.

- ① ON/OFF - Fan Operation
- ② ON/OFF - Light Operation
- ③ Fan Speed(1-Low Speed → 5 -High Speed)
- ④ Direction of the fan (reverse switch)
- ⑤ Fan control timer (1hr/4hrs/8hrs)
- ⑥ LED indicator light
- ⑦ 12V battery (included) x1



Note 1: With the memory function, the controller will save the last fan function when the fan is powered off. When restoring the power supply, it will resume to the original status (Fan is Off and Light is On).

Note 2: If not used for a long period of time, remove battery to prevent damage to Transmitter. Store the remote away from excessive heat or humidity.

Attention: See "Troubleshoot" on Pg.9 and Pg.11 if you plan to install MULTIPLE FANS WITH DIFFERENT FREQUENCY CODES.

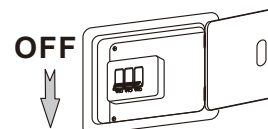
Troubleshoot

In general, the fan control is preset and should function normally, even if there are more than one fan in the same area.

In the event of mixed paired remote & receiver, please do the following.

Step 1. Make sure to turn off power at breaker box.

First, switch the main power off and make sure fan has completely stopped.

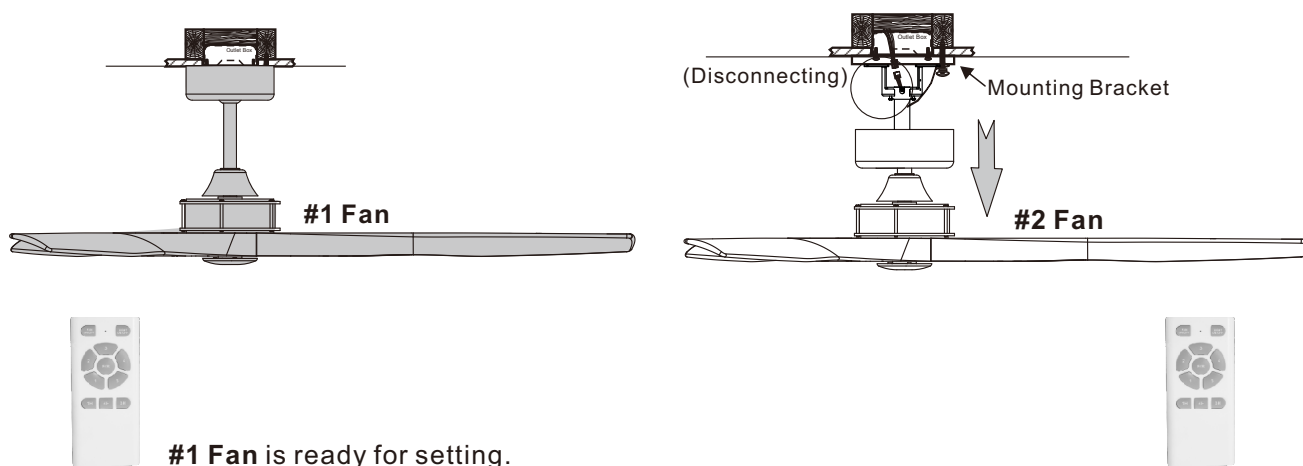


Step 2. To set up remote for #1 Fan

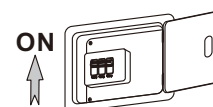
2-1. Disconnecting wire from #2 Fan

Before starting the remote control setting process, lower the canopy of #2 Fan and disconnect the brown wire.

*See the remote control setting process for **step 2-2 to set up #1 Fan.**



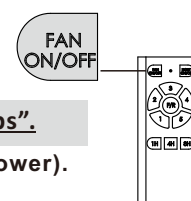
Turn on power at breaker box and #1 Fan is ready for setting.



2-2. Remote Control SETTING Process :

Press and hold the **Fan On/Off button** for **8 seconds** until the Receiver "Beeps".

(*NOTE: This process must be done within 20 seconds of switching on the power).

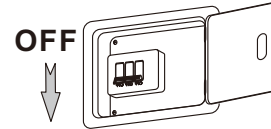


This fan has completed the settings successfully and the fan is ready for operation!

Step 3. To set up remote for #2 Fan

3-1. Make sure to turn off power at breaker box.

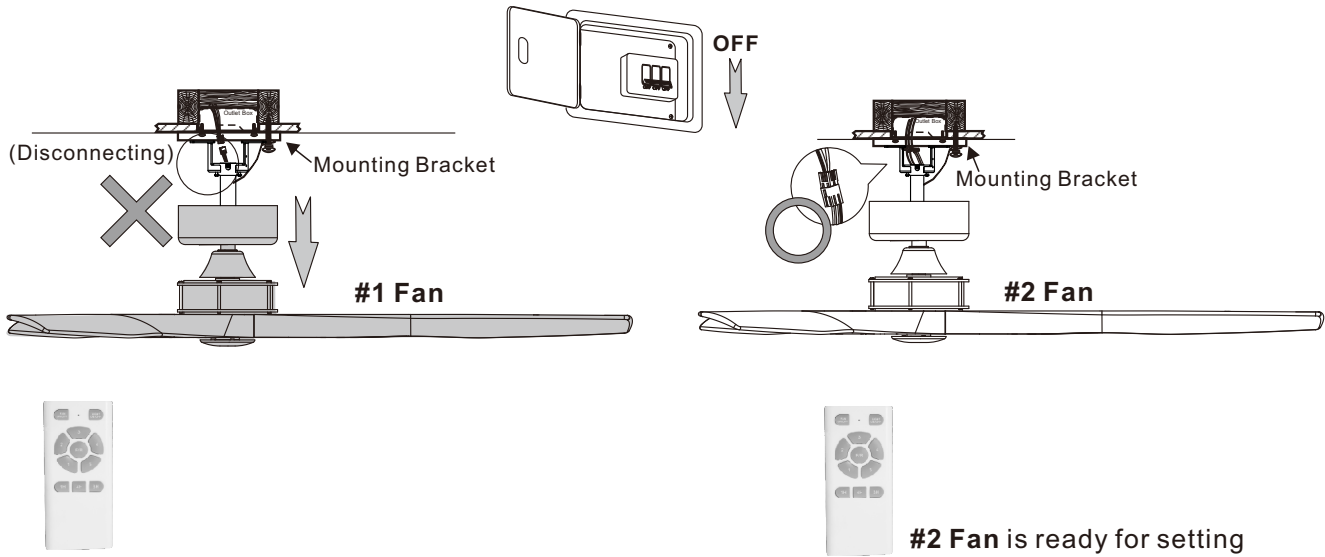
Switch the main power off and make sure fan has completely stopped.



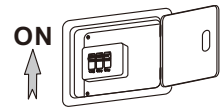
3-2. Disconnecting wire from #1 Fan

Disconnect the brown wires to the #1 Fans and connect the brown wires back to #2 Fan that you remove from **Step 2-1**.

*See the remote control setting process for **step 3-3. to set up #2 Fan**



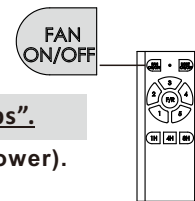
Turn on power at breaker box and #2 Fan is ready for setting.



3-3. Remote Control SETTING Process :

Press and hold the **Fan On/Off button** for **8 seconds until the Receiver "Beeps"**.

(*NOTE: This process must be done within 20 seconds of switching on the power).

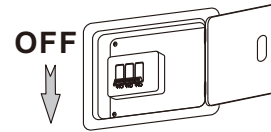


This fan has completed the settings successfully and the fan is ready for operation!

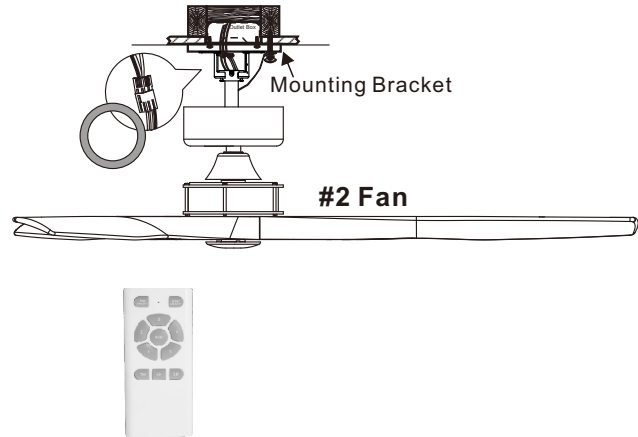
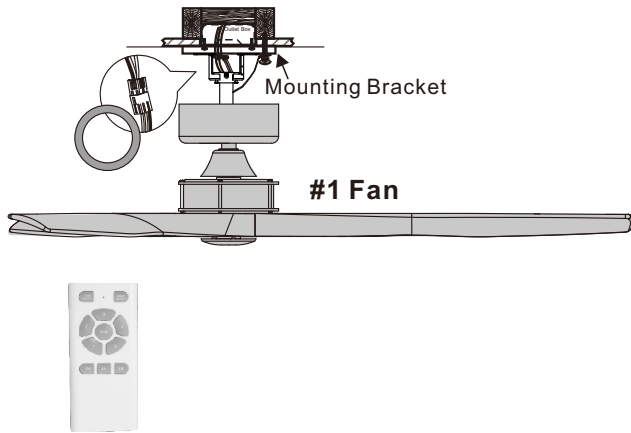
Step 4. Reconnecting all fans

4-1. Make sure to turn off power at breaker box.

Switch the main power off and make sure fan has completely stopped.

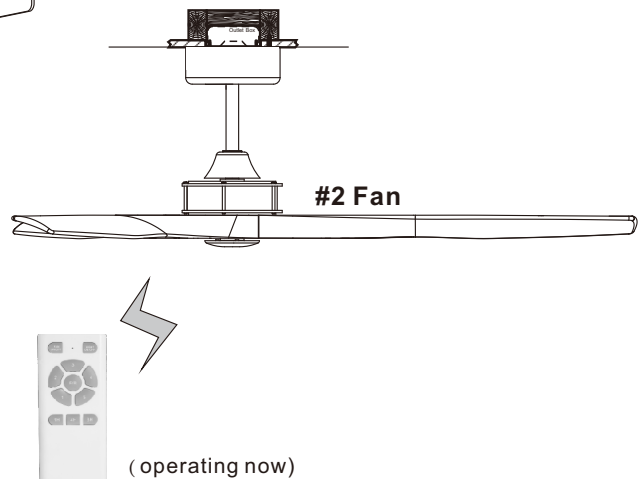
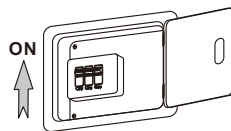
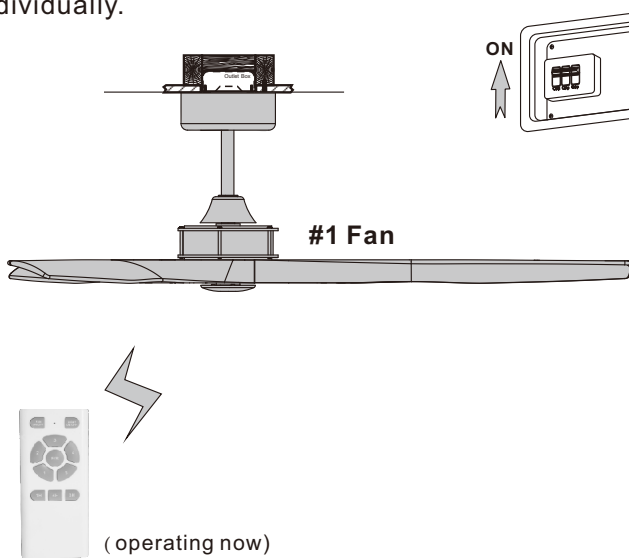


4-2. Connect brown wire of #1 Fan. #1 Fan and #2 Fan should already be wired



4-3.

Turn on the power from main switch and now each of these two fans are operated by its own remote individually.



NOTE: For more than two fans, the same rules apply. Make sure only one fan at a time is connected to power when doing the Remote Setting. Already completed fans should be disconnected until all fans have completed the Remote Setting process.